

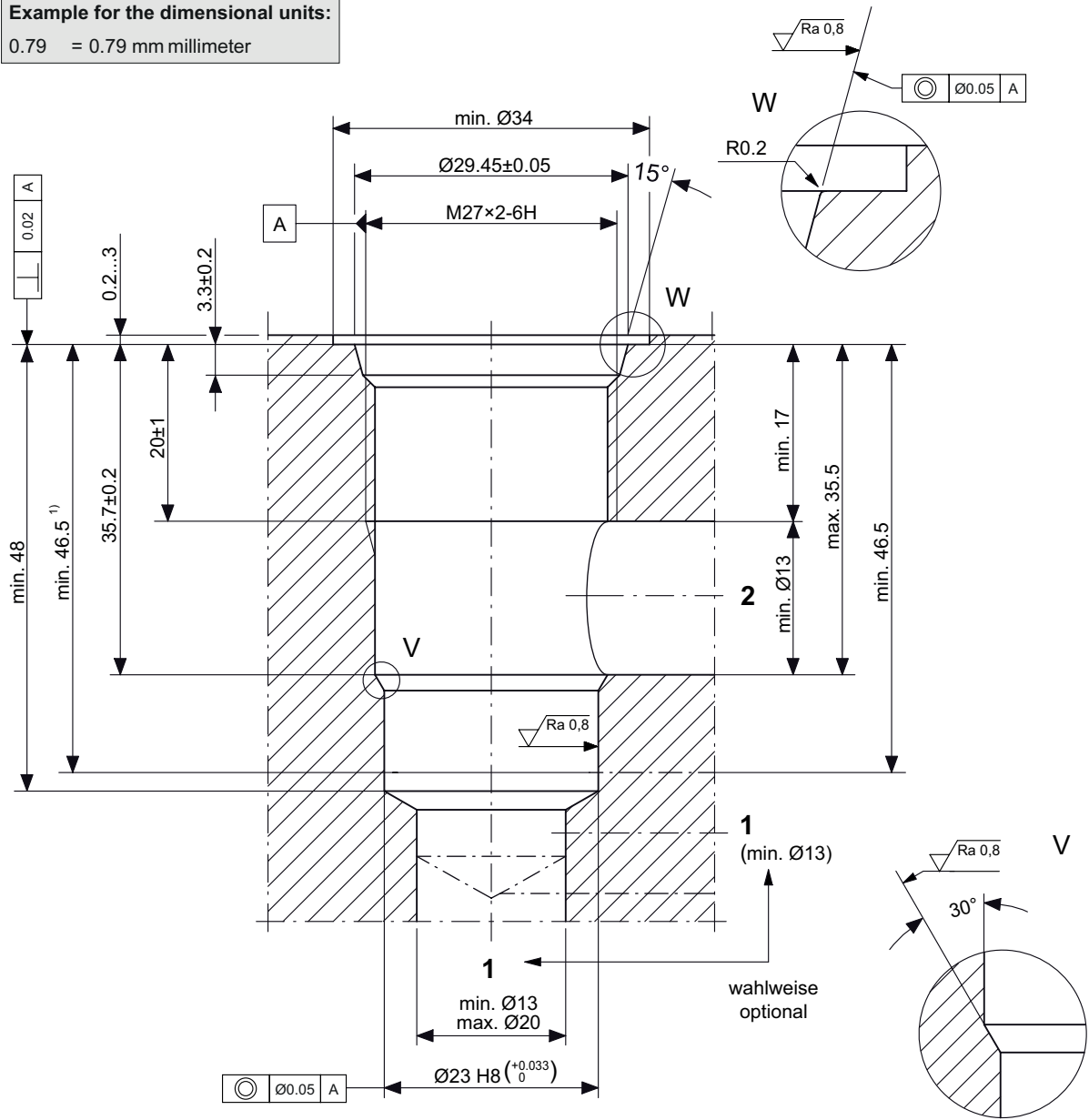
General information

Cavity

Type series: DH

Dimensions and sectional view

Beispiel für die Masseinheit:
Example for the dimensional units:
0.79 = 0.79 mm millimeter



i HINWEIS!
NOTE!

¹⁾ Passungstiefe
Minimum depth of specified diametral tolerance

√Ra 3,2 (√)

Installation information

**ATTENTION!**

You must maintain the specified positional and diametral tolerances. To ensure trouble-free operation of the screw-in cartridges, we strongly recommend that pilot drilling, boring, reaming and cavity thread-cutting are always performed in one setup.

**NOTE!**

The cavity type DH complies with the standard according to ISO 7789: 27-01-0-07.

**NOTE!**

We offer form toolsets for sale or hire. For further information, see data sheet 400-P-040011.